

Nova-Flo®

the flood prevention device

Installation Instructions



www.nova-flo.com



IMV200127

Sink/Basin Installation

Nova-Flo® can be installed to some kitchen sinks and basins. For further guidance please refer to our website: www.nova-flo.com

Congratulations on purchasing a Nova-Flo® flood prevention device

Fitted correctly, Nova-Flo® will provide you and your family peace of mind and constant protection from an overflowing bath. Since the water will be substantially shut off once activated, the device will also save on wasted water and energy.

Recommendation

Baths, taps and overflows differ greatly and care must be taken to understand the individual plumbing arrangements prior to undertaking any installation.

Ensure you can isolate the supply water and are familiar with work of this nature. We recommend you always use a qualified professional to install a Nova-Flo® unit.

Box contents	
Quantity	Item
1	Nova-Flo® unit
2	Large Barb Connector
2	Small Barb Connector
2	O-ring for Barb Connector
2	Rubber Sleeve

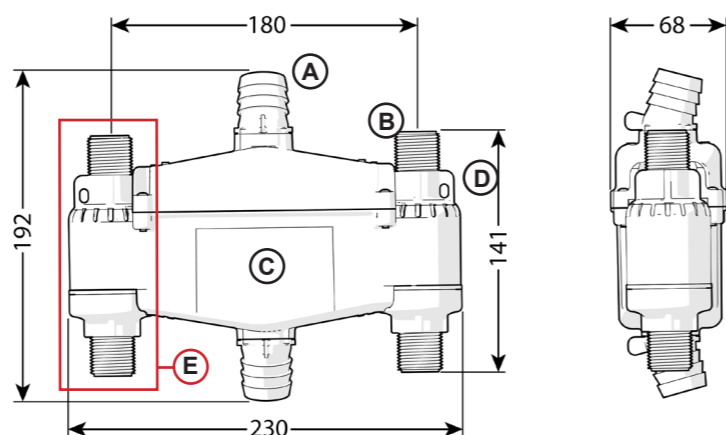
Orientation

The Nova-Flo® unit must be fitted in a vertical orientation. It must not be fitted lying flat or crooked since this will hinder operation. Directions are clearly marked on the main body of the unit.

Location

The unit is required to be installed as close to the overflow outlet as possible. The location of the taps has no effect on how the Nova-Flo® operates, making it suitable for virtually any tap style or location.

Fig. 1 Part descriptions & dimensions (mm)



A. Barb connector	D. Securing ear
B. 3/4" BSP pipe connector	E. Side valve
C. Main body	

WARNING

Do not use soldered or compression fittings or solder flux in direct contact with the unit. Care must be taken to avoid any heat transfer to the unit if soldering fittings in close proximity.

Positioning

The unit must be located between the overflow outlet (See Fig. 3) and the trap in as high a position as can be achieved. Fixings such as cable ties, screws or flexible wire can be used through the ears (Fig.1, D) to support it in the preferred position if needed.

This position will allow any excess water flowing through the overflow outlet in the bath to pass through the unit causing activation of the valves to shut off the supply water. The positioning of the unit is the same for all types of installations.

Connection to overflow pipe

Nova-Flo® will fit the majority of flexible overflow pipes found on common bath overflows. The existing overflow pipe will need to be cut to leave two lengths, so do take care to measure up carefully ensuring that there will be adequate pipe lengths leading to and from the barb connectors.

The barb connector (Fig.1,A) is attached to the Nova-Flo® body by insertion and rotation of 45 degrees clockwise (Fig.2).

The four points on the barb connector must line up with the point indicators on the body and cap when fully secure.

The barb is set at an angle to aid off-centre installations. There are four positions which it can be set to.

There are two sizes of overflow barb connectors supplied with Nova-Flo® in order to fit the majority of flexible overflow pipes available. The overflow pipe should be pushed onto the barb connector firmly, creating a watertight fit.

For a tight fitting pipe, submerge the overflow pipe in boiling water to soften it enough to push over the barb connector. Take care not to scald yourself.

For a loose fitting pipe, use the supplied rubber sleeve to enlarge the barb connector. A small smear of silicone sealant on the outside of the sleeve will aid insertion into the pipe.

Please ensure all fittings are watertight by looking for leaks during testing once the installation is complete.

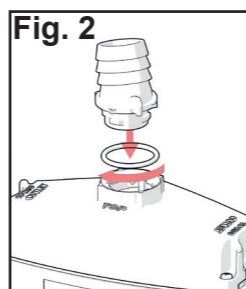
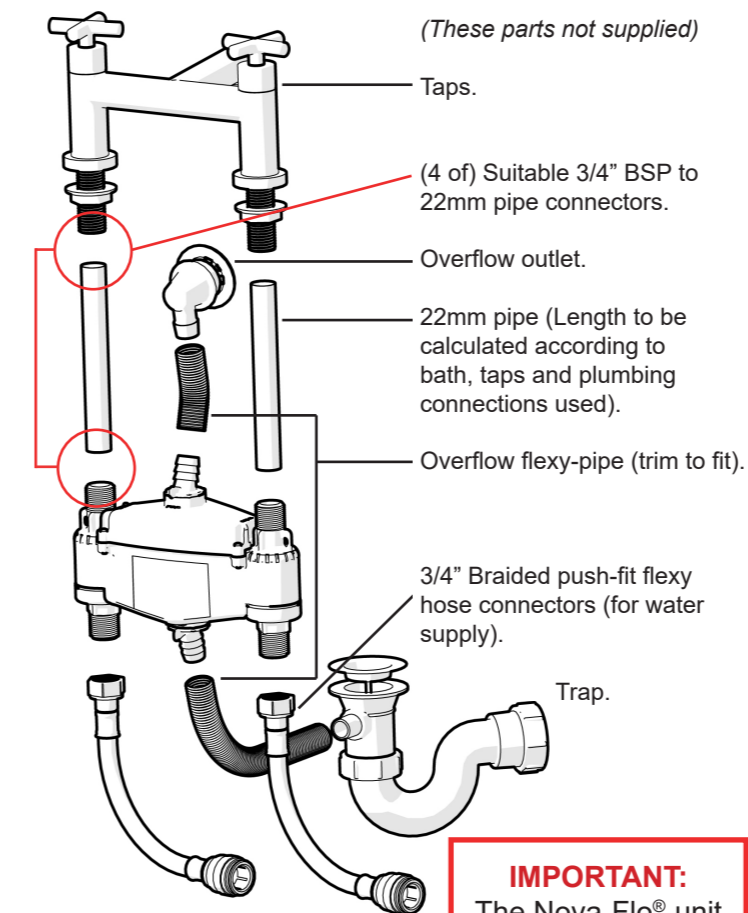


Fig. 3 Typical installation assembly



Water supplies

The Nova-Flo® valves are not hot or cold specific, so hot or cold water can be run through either side.

1. Bath and Wall Mounted taps: (See Fig. 3)

The water supplies for the hot and cold feeds must pass up through each side valve (Fig. 1, E) of the Nova-Flo® unit respectively and the top 3/4" BSP connectors (Fig. 1, B) lead to the tap controls or mixer.

2. Bath Filler and Waste Combinations: (See Fig. 4)

The mixed water supply fed from the tap controls is to be split and directed equally to both side valves. The top connections are then to be reconnected and a branch led to the filler and waste head.

Use of a Thermostatic Mixing Valve (TMV)

It is recommended that a TMV be installed prior to the Nova-Flo® unit. e.g. Thermally mixed water should be directed through one side valve of the Nova-Flo® unit. Nova-Flo® is rated at a maximum hot water temperature of 60 degrees Centigrade.

Purging of system

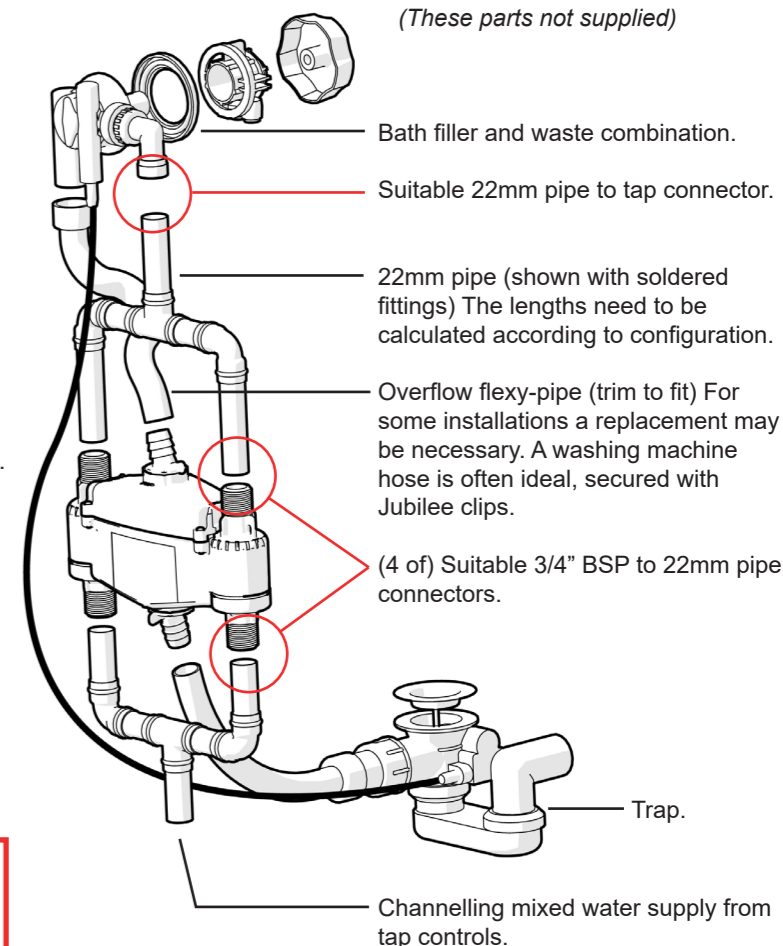
Once fitted, the system will need to be purged to clear any trapped air inside. This is done by allowing the taps to run at full flow for 1 minute, then turning them off. Repeat this procedure three times. Should the valves actuate, simply turn off the taps, wait for five seconds then turn them on gently. Once the system is purged of air, activation of the valves such as this will not occur. In some installations with an exceptionally fast flow rate, unexpected water shut off may occur before the bath is full. In this occurrence simply restrict the water flow by closing the supply valves slightly.

Testing

Test for leaks before replacing any bath surround or cladding.

To ensure correct operation, you are advised to check its operation once every six months. To do this, keep the taps on and direct water from a shower head or pour water from a large jug into the overflow outlet until activation. Whilst doing this it can be quicker to cup a cloth with your hand below the overflow outlet to channel more water into it. Should the overflow system ever become clogged with soap, hair etc. In the event of a blockage remove the lower barb connector by rotating it 45 degrees anticlockwise and clear any debris with a cotton bud or similar, then refit the barb connector. Care should be taken not to lose the o-ring. Should more intensive cleaning be required you can find more information at www.nova-flo.com

Fig. 4 Bath filler & waste combination



Resetting the water upon activation of the valves

If water pours down the overflow outlet, the taps will stop running at full flow and will be substantially shut off. There will remain a small trickle of water which is intentional and reminds the user to turn off the taps (the overflow can easily handle this trickle).

To reset the unit, ensure there is no more water going through the overflow then simply turn off the taps and wait for five seconds. Upon turning them on again, full flow is resumed.

Your taps and water supply will be unaffected in normal use.

Recommended fittings

3/4" BSP to 22mm pipe connections vary. Please check your connections on the side valves to ensure compatibility. We recommend use of shower pump flexible hoses or similar, intended for hand tightening.

WARRANTY Nova-Flo® (the device) is warranted to be free of defective parts, material and construction for a period of 2 years from date of purchase. The device is designed for occasional use as a preventative device and should not be used as a means of automatically setting your bath water level on a regular basis.

About Time Design Ltd (the company) and our suppliers take no responsibility for the quality of fitment of Nova-Flo® or any loss or damage caused by defective installation. We recommend installation by a qualified professional to ensure there are no leaks and the device performs according to specification. The company takes no responsibility for consequential loss under any circumstances. In event of queries, in the first instance please contact us on +44 (0)1608 811 707

Produced by About Time Design Ltd 26 Church Street Bishops Stortford Hertfordshire CM23 2LY www.nova-flo.com	Distributed by Lifescience Products Ltd Unit 19, Cheltenham Trade Park Gloucestershire GL51 8LZ Tel: +44 (0)1608 811 707 Email: info@nova-flo.com
--	--

Nova-Flo and Flowban are registered trademarks of About Time Design Ltd
Patent Protected: GB: 2428800, 2458783, 2476539, 2476351, 2476542, 2476353, 2476707, 2476540, 2476541, 2458783; Europe: 2279367; USA: 8215335 & 8517045.
Water Regulations Advisory Scheme Limited (WRAS Ltd.) owns WRAS Approved Product Certification Mark and reserves all rights to it.